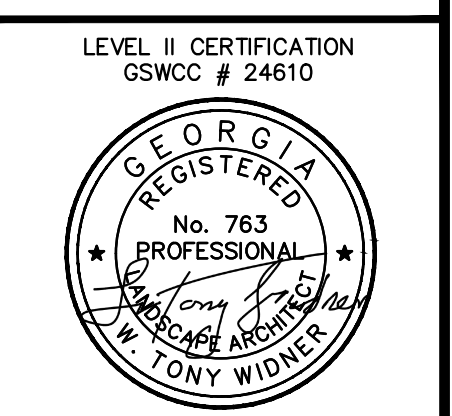


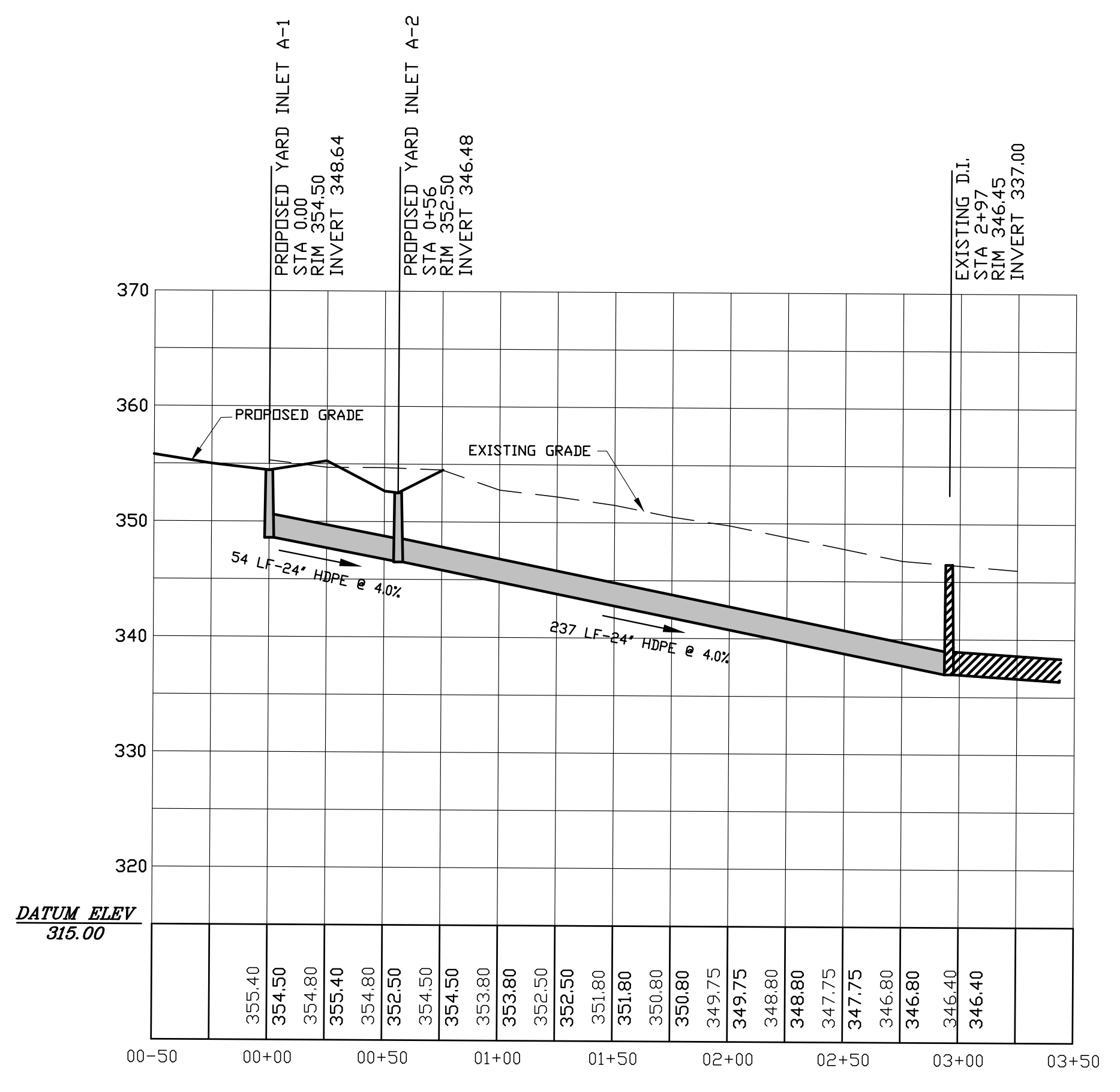


THESE DOCUMENTS ARE NOT TO BE USED FOR CONSTRUCTION UNLESS THE SEAL ON THIS PAGE IS SIGNED IN BLUE INK.

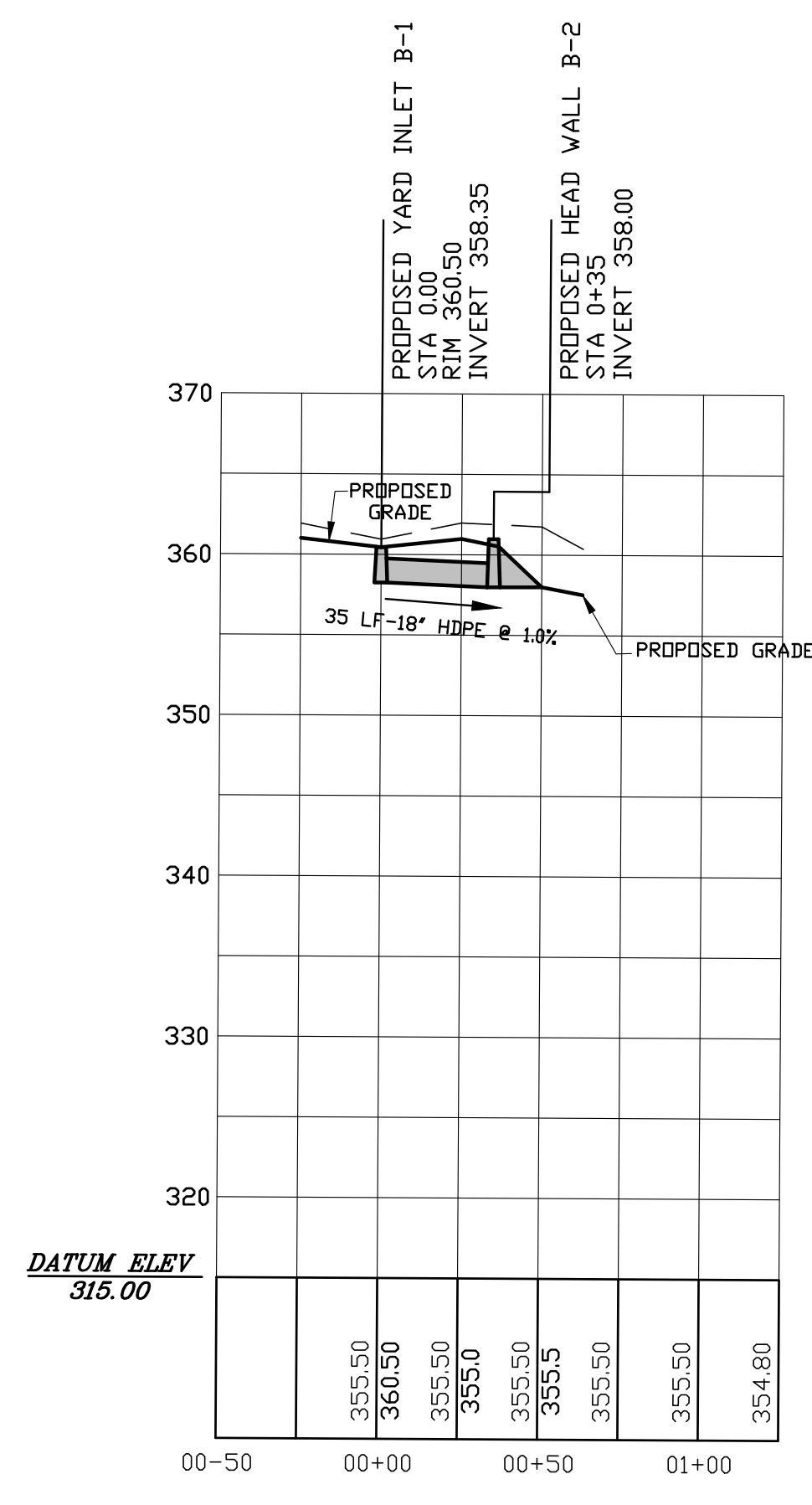


LEVEL II CERTIFICATION
GSWCC # 24610

THESE DOCUMENTS AS INSTRUMENTS OF SERVICE, REMAIN THE PROPERTY OF WIDNER AND ASSOCIATES, AND NO PART THEREOF MAY BE USED OR REPRODUCED IN ANY FORM WITHOUT WRITTEN PERMISSION.



STORMWATER PIPE PROFILE 'A'
HORIZONTAL SCALE: 1"=50'
VERTICLE SCALE: 1"= 10'



STORMWATER PIPE PROFILE 'B'
HORIZONTAL SCALE: 1"=50'
VERTICLE SCALE: 1"= 10'

Widner & Associates, Inc.
P.O. BOX 02, MACON, GEORGIA 31202
PHONE: (478) 746-2010
FAX: (478) 746-2010
WWW.WIDNER-ASSOC.COM

PROFILES FOR
BLOOMFIELD PARK
SPORTS COMPLEX RENOVATION
MACON, BIBB COUNTY, GEORGIA
LAND LOT 160

DATE: 06/01/2021
DRAWN BY: FRH
CHECKED BY: WTW
PROJECT #: 9999-012

SHEET: C-18A
SCALE: 1"=10'
APPROV.