

EPA: 2.17 sq ft / weight: 60 lb (27.3 kg)
Note: 3D image may not represent color or option selected.
Logos above include link, click to access.

Qty	Luminaire	S56-80W48LED4K-R-GL-LE3-UNIV-CLO-DMG-SFX-FN10-[RCD7-003]-BKTX
-----	-----------	--

Description of Components:

Finial: Decorative cast 356 aluminum, mechanically assembled.

Hood: (GL), One-piece, seamless, pressure-molded colorless borosilicate glass globe having internal prisms with smooth external self-cleaning surface, permanently assembled to the globe.

Access-Mechanism: A cast A360.1 aluminum technical ring with latch and hinge. The mechanism shall offer tool-free access to the inside of the luminaire. An embedded memory-retentive gasket shall ensure weatherproofness.

Heat Sink: Made of cast aluminum optimising the LEDs efficiency and life. Product does not use any cooling device with moving parts (only passive cooling device)

Globe: (GL), One-piece, seamless, pressure-molded colorless borosilicate glass globe having internal glare softening prisms with smooth external self-cleaning surface. The globe is permanently sealed onto the access-mechanism.

Lamp: LED Module (Included), LED type Philips Lumileds LUXEON R. Composed of 48 high-performance white LEDs. Color temperature of 4000 Kelvin nominal, 70 CRI. Operating lifespan based on TM-21 extrapolation to get results after which 50% of LEDs still emits over 70% (L70) of its original lumen output. Use of metal core board ensures greater heat transfer and longer lifespan of the light engine. The LED circuit board is included with a quick disconnect wiring connection for ease of replacement.

Optical System: (LE3), IES type III (asymmetrical). Composed of high-performance optical grade PMMA acrylic refractor lenses to achieve desired distribution optimized to get maximum spacing, target lumens and a superior lighting uniformity.

Optical system is rated IP66. Performance shall be tested per LM-63, LM-79 and TM-15 (IESNA) certifying its photometric performance. Street side indicated.

Driver: High power factor of 95%. Electronic driver, operating range 50/60 Hz. **Auto-adjusting universal voltage input from 120 to 277 VAC rated for both application line to line or line to neutral, Class I**, THD of 20% max. Maximum ambient operating temperature from -40F(-40C) to 130F(55C) degrees. Certified in compliance to UL1310 cULus requirement. Dry and damp location. Assembled on a unitized removable tray with Tyco quick disconnect plug resisting to 221F(105C) degrees.

The current supplying the LEDs will be reduced by the driver if the driver experiences internal overheating as a protection to the LEDs and the electrical components. Output is protected from short circuits, voltage overload and current overload. Automatic recovery after correction. Standard built-in driver surge protection of 2.5kV (min).

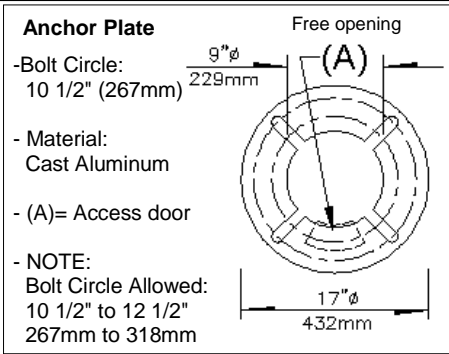
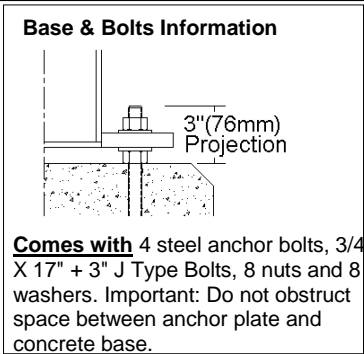
Driver Options: (DMG), Dimming compatible 0-10 volts. For applicable warranty, certification and operation guide see "*Philips Lumec dimmable luminaire specification document for unapproved device installed by other*". To get document, click on this link: [Specification document](#) or go on web site on this address: [http://www.lumec.com/Lumec3DV2/PdfWebLink/Philips Lumec dimmable luminaire specification document for unapproved device installed by other.pdf](http://www.lumec.com/Lumec3DV2/PdfWebLink/Philips%20Lumec%20dimmable%20luminaire%20specification%20document%20for%20unapproved%20device%20installed%20by%20other.pdf)

Surge Protector: Surge protector tested in accordance with ANSI/IEEE C62.45 per ANSI/IEEE C62.41.2 Scenario I Category C High Exposure 10kV/10kA waveforms for Line-Ground, Line-Neutral and Neutral-Ground, and in accordance with U.S. DOE (Department of Energy) MSSLC (Municipal Solid-State Street Lighting Consortium) model specification for LED roadway luminaires electrical immunity requirements for High Test Level 10kV / 10kA.

Fitter: Cast aluminum A360.1 c/w 4 set screws 3/8-16 UNC. Fits on a 4"(102mm) outside diameter by 4"(102mm) long tenon.

Luminaire Options: Receptacle with 7 pins enabling dimming and with two extra connections for future use (these connections are capped off at the factory requires connections to be made in the field), can be used with a photoelectric cell or a shorting cap. **Cannot be used with twist lock Starsense.** Use of photocell or shorting cap is required to ensure proper illumination.

MACON-BIBB



Qty	Pole	RTA40F-14-GFII-BKTX
-----	------	---------------------

Description of Components:

Pole Shaft: Shall be made from a mandrel-formed aluminum tapered shaft, 12 fluted round, having a 0.125" (3.2mm) wall thickness, welded to the pole base

Joint Cover: One-piece round joint cover made from cast 356 aluminum, mechanically fastened with stainless steel screws.

Pole Base: Shall be made from a round fluted cast 356-T6 aluminum base having a 0.375" (9.5mm) wall thickness, complete with a cast-in anchor plate.

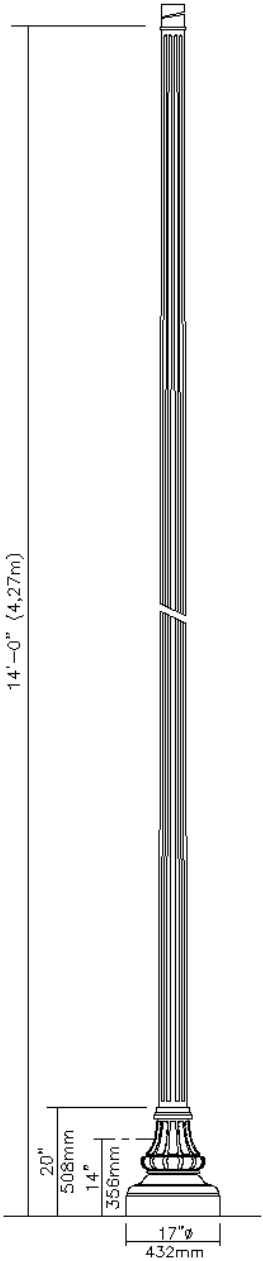
Maintenance Opening: The pole shall have a 2 7/8" to 6" wide x 5 1/2" long (73mm x 152mm x 140mm) maintenance opening centered 14" (356mm) from the bottom of the anchor plate, complete with a weatherproof cast 356 aluminum cover and a copper ground lug.

Pole Options: (GFI) Duplex receptacle, WR Weather Resistant, 120 volts, ground fault interrupter, **complete with an in-use weatherproof aluminum painted cover.** Possibility of padlock (Padlock not included). **15 amp., NEMA 5-15R.**

Note: A tenon will be provided when the luminaire or bracket does not fit directly on pole shaft. Tenon not shown on the drawing.

IMPORTANT: Philips Lumec strongly recommends the installation of the complete lighting assembly with all of its accessories upon the anchoring of the pole. This will ensure that the structural integrity of the product is maintained throughout its lifetime.

Pole Weight: 44 lbs (20 kg)



Miscellaneous

Description of Components:

Wiring: Gauge (#14) TEW/AWM 1015 or 1230 wires, 6" (152mm) minimum exceeding from luminaire.

Hardware: All exposed screws shall be complete with Ceramic primer-seal basecoat to reduce seizing of the parts and offers a high resistance to corrosion. All seals and sealing devices are made and/or lined with EPDM and/or silicone and/or rubber.

Finish: Color to be **black textured RAL9005TX (BKTX)** and in accordance with the AAMA 2603 standard. Application of polyester powder coat paint (4 mils/100 microns) with ± 1 mils/24 microns of tolerance. The Thermosetting resins provides a discoloration resistant finish in accordance with the ASTM D2244 standard, as well as luster retention in keeping with the ASTM D523 standard and humidity proof in accordance with the ASTM D2247 standard.

The surface treatment achieves a minimum of 2000 hours for salt spray resistant finish in accordance with testing performed and per ASTM B117 standard.

Warning: IMPORTANT 120 volt line needed on site for (GFI).

LED products manufacturing standard: The electronic components sensitive to electrostatic discharge (ESD) such as light emitting diodes (LEDs) are assembled in compliance with IEC61340-5-1 and ANSI/ESD S20.20 standards so as to eliminate ESD events that could decrease the useful life of the product.

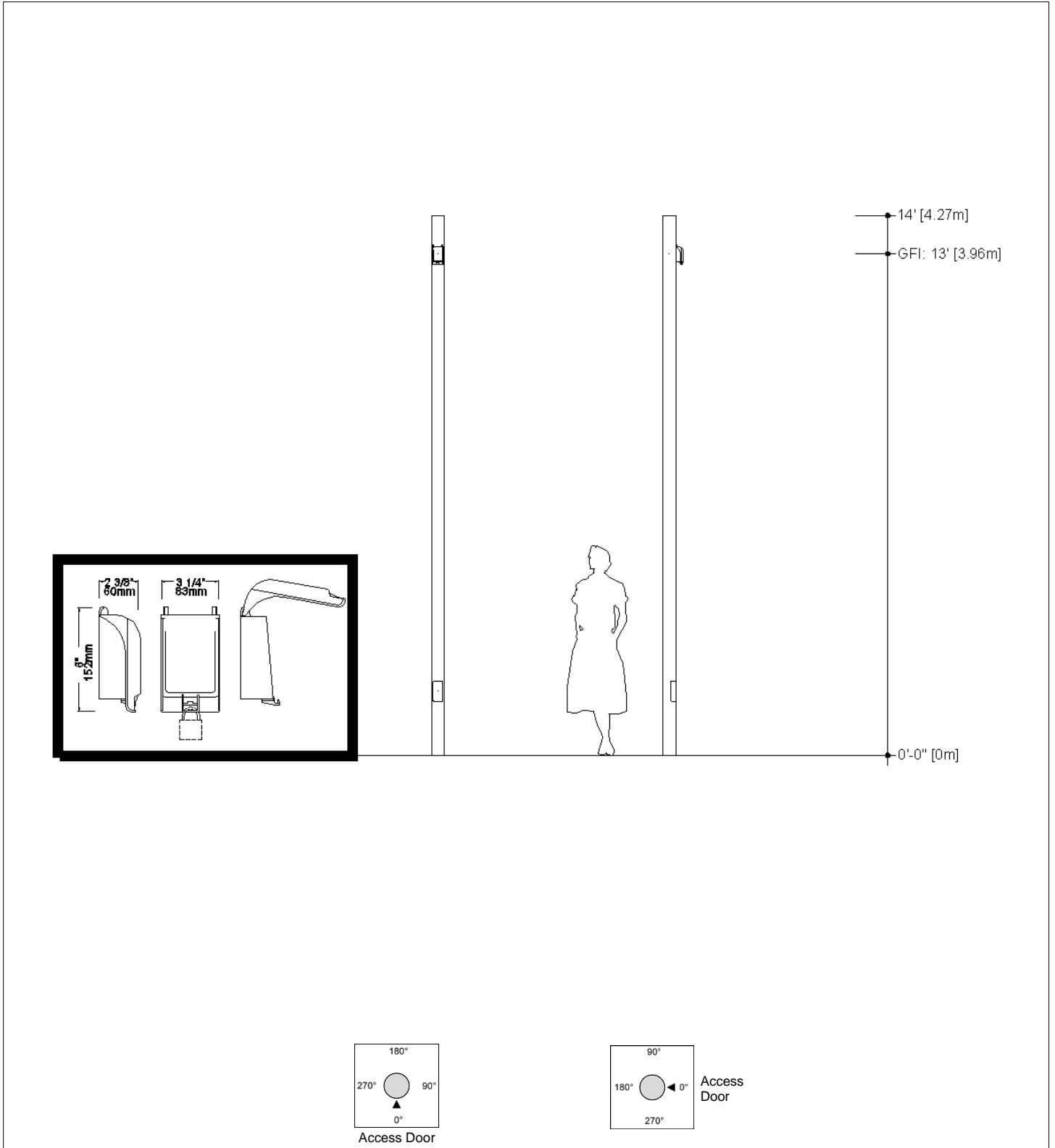
Quality Control: The manufacturer must provide a written confirmation of its ISO 9001-2008 and ISO 14001-2004 International Quality Standards Certification.

Web site information details: Click on any specific information details you need:

[Paint finish](#) / [Warranties](#) / [ISO 9001-2008 Certification](#) / [ISO 14001-2004 Certification](#) / [CSA Pole Certification](#)

Parametric Options Illustration

(schematic pole shown, for actual pole representation please refer to previous pages)



LED light engine technical information for S55 S56 S55C1 S56C1 S55C2 S56C2

LED = Philips Lumileds Luxeon R, CRI = 70, CCT = 4000K (+/- 350K)

System (LED + driver) rated life = 100,000 hrs¹

Lamp	Typical delivered lumens	Typical system wattage ² (W)	Typical current @ 120 V (A)	Typical current @ 208 V (A)	Typical current @ 240 V (A)	Typical current @ 277 V (A)	LED current (mA)	HID equivalent ³	Luminaire Efficacy Rating (Lm/W)	BUG rating
35W32LED4K-R-LE2	3468	36	0.29	0.17	0.16	0.15	350	70 -100	96.3	B1-U2-G1
35W32LED4K-R-LE3	3439	36	0.29	0.17	0.16	0.15	350	70 -100	95.5	B1-U2-G2
35W32LED4K-R-LE4	3520	36	0.29	0.17	0.16	0.15	350	70 -100	97.8	B1-U2-G1
35W32LED4K-R-LE5	3694	36	0.29	0.17	0.16	0.15	350	70 -100	102.6	B3-U2-G1
55W32LED4K-R-LE2	4916	53	0.40	0.23	0.21	0.19	530	100 - 150	92.8	B1-U3-G1
55W32LED4K-R-LE3	4880	53	0.40	0.23	0.21	0.19	530	100 - 150	92.1	B1-U3-G2
55W32LED4K-R-LE4	4984	53	0.40	0.23	0.21	0.19	530	100 - 150	94.0	B1-U3-G2
55W32LED4K-R-LE5	5232	53	0.40	0.23	0.21	0.19	530	100 - 150	98.7	B3-U3-G1
55W48LED4K-R-LE2	5105	55	0.38	0.22	0.23	0.21	350	100 - 150	92.8	B2-U3-G2
55W48LED4K-R-LE3	5064	55	0.38	0.22	0.23	0.21	350	100 - 150	92.1	B2-U3-G2
55W48LED4K-R-LE4	5172	55	0.38	0.22	0.23	0.21	350	100 - 150	94.0	B1-U3-G2
55W48LED4K-R-LE5	5429	55	0.38	0.22	0.23	0.21	350	100 - 150	98.7	B3-U3-G1
80W48LED4K-R-LE2	7192	79	0.63	0.36	0.34	0.31	530	150 - 175	91.0	B2-U3-G2
80W48LED4K-R-LE3	7132	79	0.63	0.36	0.34	0.31	530	150 - 175	90.3	B2-U3-G2
80W48LED4K-R-LE4	7287	79	0.63	0.36	0.34	0.31	530	150 - 175	92.2	B2-U3-G2
80W48LED4K-R-LE5	7649	79	0.63	0.36	0.34	0.31	530	150 - 175	96.8	B3-U3-G2

¹ L70 = 100,000 hrs (at ambient temperature = 25°C)

² System wattage includes the lamp and the LED driver.

³ Equivalence should always be confirmed by a photometric layout

Note : Due to rapid and continuous advances in LED technology, LED luminaire data is subject to change without notice and at the discretion of Philips.