



Macon-Bibb County Government

Procurement Department

Government Center

700 Poplar Street, Suite 308

Macon, Georgia 31201

(478) 803-0550

Fax (478) 751-7252

Chauncey Wilmore
Senior Procurement Officer

May 22, 2017
ADDENDUM #3

To: ALL PROSPECTIVE FIRMS

Re: INVITATION FOR BIDS: **17-037-CW New Senior Citizen Community Center**

The Invitation for Bids, referenced above, is modified as follows:

1. Attached are all the new items to be incorporated into the bid.

Please incorporate this change into the Invitation for Bid and acknowledge receipt of this addendum on your bid form.

Sincerely,

Chauncey Wilmore

Chauncey Wilmore
Senior Procurement Officer

This document contains copyrighted material and trade secret information belonging to Stage Front Presentation Systems. Any unauthorized use, disclosure, or duplication of any of the information contained herein may result in liability under applicable laws.

GENERAL NOTES

1	ALL LINE VOLTAGE ELECTRICITY SHALL BE PROVIDED AND INSTALLED BY E.C.
2	ALL VOICE SERVICES, DATA SERVICES, COMPUTER NETWORKING SERVICES AND CABLING FOR SAID SERVICES SHALL BE PROVIDED BY OTHERS.
3	ALL FREE AIR CABLING SHALL BE PLENUM RATED.
4	ALL DEVICE PLATES MOUNTED IN INTERIOR WALL SHALL HAVE A NATURAL ALUMINUM FINISH, U.N.O.
5	ALL DEVICE PLATES MOUNTED INSIDE FLOOR BOXES SHALL HAVE A NATURAL ALUMINUM FINISH, U.N.O.
6	ALL DEVICE PLATES SHALL BE STANDARD SIZE U.N.O.

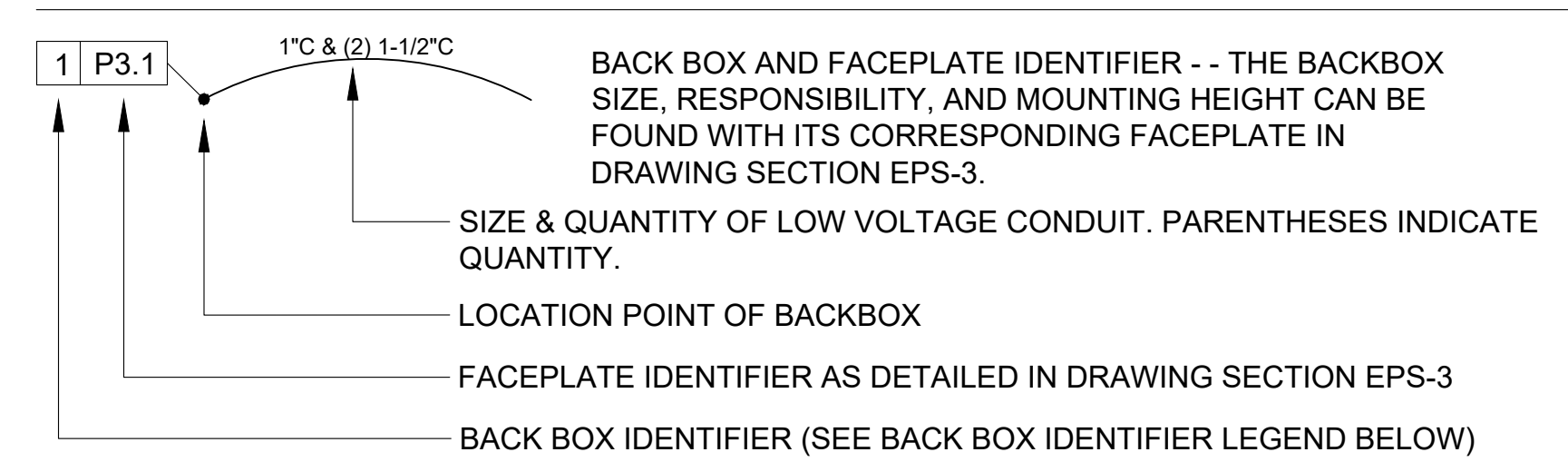
SYMBOL LEGEND

	BACK BOX AND FACE PLATE IDENTIFIER
	EMPTY LOW VOLTAGE CONDUIT WITH PULL STRING. E.C. TO PROVIDE SIZE & QUANTITY INDICATED. CONDUIT TO BE (1) 1\"C IF NO NOTATION GIVEN. LINE DOES NOT IMPLY HOW CONDUIT IS TO BE ROUTED. ROUTE CONDUIT AS REQUIRED IN FIELD.
	E.C. SUPPLIED CIRCUIT(S). ARROWS DENOTE QUANTITY OF CIRCUITS. CROSSMARKS INDICATE QUANTITY OF CONDUCTORS PER CIRCUIT. ALL CONDUCTORS TO BE 20A 120VAC CONDUCTORS UNLESS NOTED OTHERWISE. ALL RUNS TO INCLUDE GROUNDING CONDUCTOR WHICH IS NOT INCLUDED IN THE CROSSMARKS. RUNS DEVOID OF CROSSMARKS ARE TO CONTAIN (2) 20A 120VAC CONDUCTORS & (1) GROUNDING CONDUCTOR UNLESS NOTED OTHERWISE. "IG" INDICATES ISOLATED GROUNDING CONDUCTOR.
	PULL BOX SUPPLIED BY E.C. SIZE AS REQUIRED. LOCATE BOX IN ACCESSIBLE AREA.
	CONDUIT STUBBED INTO ACCESSIBLE SPACE ABOVE CEILING IN ROOM WHERE SYMBOL IS SHOWN, UNO
	WALL-MOUNTED 20A/120V DUPLEX RECEPTACLE ON DEDICATED 20A CIRCUIT
	CEILING MOUNTED 20A/120V DUPLEX RECEPTACLE ON DEDICATED 20A CIRCUIT
	20A/120VAC DUPLEX RECEPTACLE ON DEDICATED 20A CIRCUIT MOUNTED IN FLOOR BOX
	WALL-MOUNTED 20A/120V DUPLEX RECEPTACLE ON DEDICATED 20A CIRCUIT WITH ISOLATED GROUND ON DEDICATED 20A CIRCUIT
	CEILING MOUNTED 20A/120V DUPLEX RECEPTACLE ON DEDICATED 20A CIRCUIT WITH ISOLATED GROUND ON DEDICATED 20A CIRCUIT
	20A/120VAC DUPLEX RECEPTACLE ON DEDICATED 20A CIRCUIT WITH ISOLATED GROUND MOUNTED IN FLOOR BOX ON DEDICATED 20A CIRCUIT
	RADIO FREQUENCY TRANSMISSION SYSTEM
	SHEET KEYNOTE IDENTIFIER. SEE SHEET KEYNOTE WITH CORRESPONDING NUMBER "XX". NOTES CAN BE FOUND IN THE SHEET KEYNOTES TABLE ON PAGE WHERE IDENTIFIER APPEARS.

ABBREVIATIONS

AFC	ABOVE FINISHED COUNTER
AFF	ABOVE FINISHED FLOOR
AV	AUDIO VISUAL
BLW CLG	BELOW CEILING
BOS	BOTTOM OF STEEL
CKT	CIRCUIT
EC	ELECTRICAL CONTRACTOR
IR	INFRARED
MC	METAL-CLAD
OFCI	OWNER FURNISHED, CONTRACTOR INSTALLED
OFOI	OWNER FURNISHED, OWNER INSTALLED
PROSC	PROSCENIUM
PSC	PRESENTATION SYSTEMS CONTRACTOR
RCP	REFLECTED CEILING PLAN
SL	STAGE LEFT
SR	STAGE RIGHT
UNO	UNLESS NOTED OTHERWISE
VAC	VOLTS-ALTERNATING CURRENT

CONVENTIONS



BACK BOX IDENTIFIER LEGEND

1	SINGLE GANG BACK BOX - MINIMUM DEPTH 3"
2	TWO GANG BACK BOX - MINIMUM DEPTH 3"
3	THREE GANG BACK BOX - MINIMUM DEPTH 3"
4	FOUR GANG BACK BOX - MINIMUM DEPTH 3"
5	SURFACE MOUNTED WIRE TROUGH
6	HOFFMAN 8" X 8" X 4" SCREW COVER PULL BOX
7	FLOOR BOX
8	CEILING SPEAKER
9	WALL MOUNTED EQUIPMENT RACK
10	PROJECTION SCREEN
11	LOW VOLTAGE SCREEN CONTROLLER

PRESENTATION SYSTEM SHEET INDEX

- EPS-L LEGEND
- EPS-1.1 MULTIPURPOSE AV FLOOR PLAN
- EPS-1.2 MULTIPURPOSE AV REFLECTED CEILING PLAN
- EPS-2.1 SECTION
- EPS-3.1 DETAILS
- EPS-3.2 DETAILS
- PS-1.1 AUDIO SIGNAL FLOW
- PS-1.2 VIDEO SIGNAL FLOW
- PS-1.3 CONTROL SIGNAL FLOW

**MACON-BIBB COUNTY SENIOR CENTER
MULTIPURPOSE ROOM
MACON, GA
SFPS JOB 3-21075**

**MACON-BIBB COUNTY SENIOR CENTER
MULTIPURPOSE ROOM
MACON, GA**

04/17/17	DESIGN SET
REVISION SCHEDULE	

LEGEND

DRAFT:	CHECK:	APRVD:
KB	MR	TL

PROJECT NO: 3-21075

SCALE: NONE

04/17/17

EPS-L

LEGEND

This document contains copyrighted material and trade secret information belonging to Stage Front Presentation Systems. Any unauthorized use, disclosure, or duplication of any of the information contained herein may result in liability under applicable laws.

**MACON-BIBB COUNTY SENIOR CENTER
MULTIPURPOSE ROOM
MACON, GA**

NO.	DATE	DESCRIPTION
04/17/17	DESIGN SET	REVISION SCHEDULE

AV FLOOR PLAN

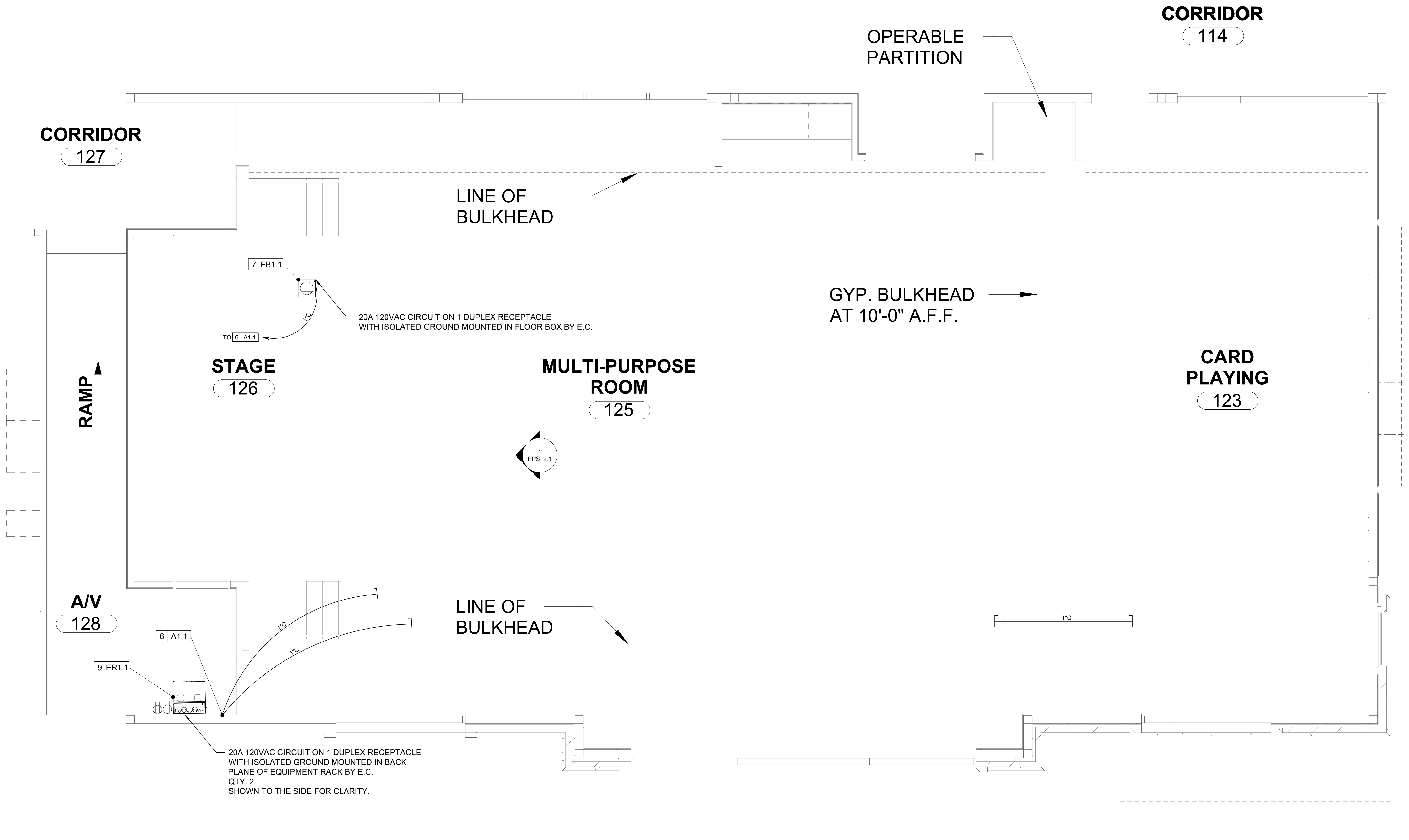
DRAFT:	CHECK:	APRVD:
KB	MR	TL

PROJECT NO: 3-21075

SCALE: 3/16"=1'

04/17/17

EPS-1.1



AV FLOOR PLAN

This document contains copyrighted material and trade secret information belonging to Stage Front Presentation Systems. Any unauthorized use, disclosure, or duplication of any of the information contained herein may result in liability under applicable laws.

**MACON-BIBB COUNTY SENIOR CENTER
MULTIPURPOSE ROOM
MACON, GA**

04/17/17 DESIGN SET

REVISION SCHEDULE

**AV
REFLECTED
CEILING PLAN**

DRAFT: KB CHECK: MR APRVD: TL

PROJECT NO: 3-21075

SCALE: 3/16"=1'

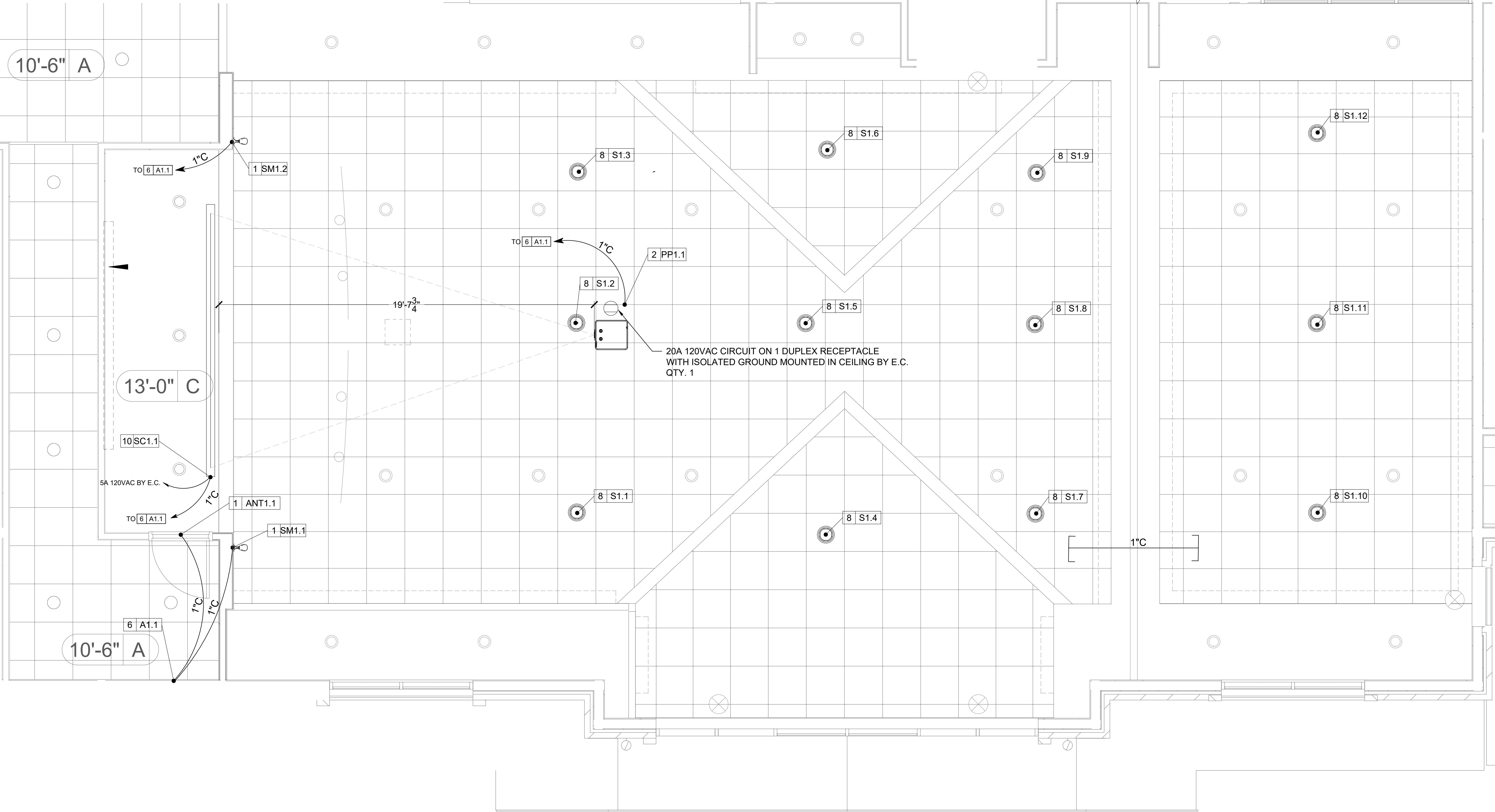
04/17/17

EPS-1.2

10'-6" A

13'-0" C

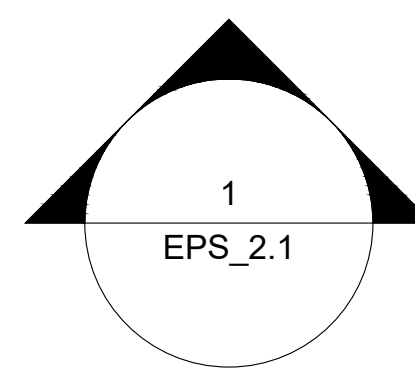
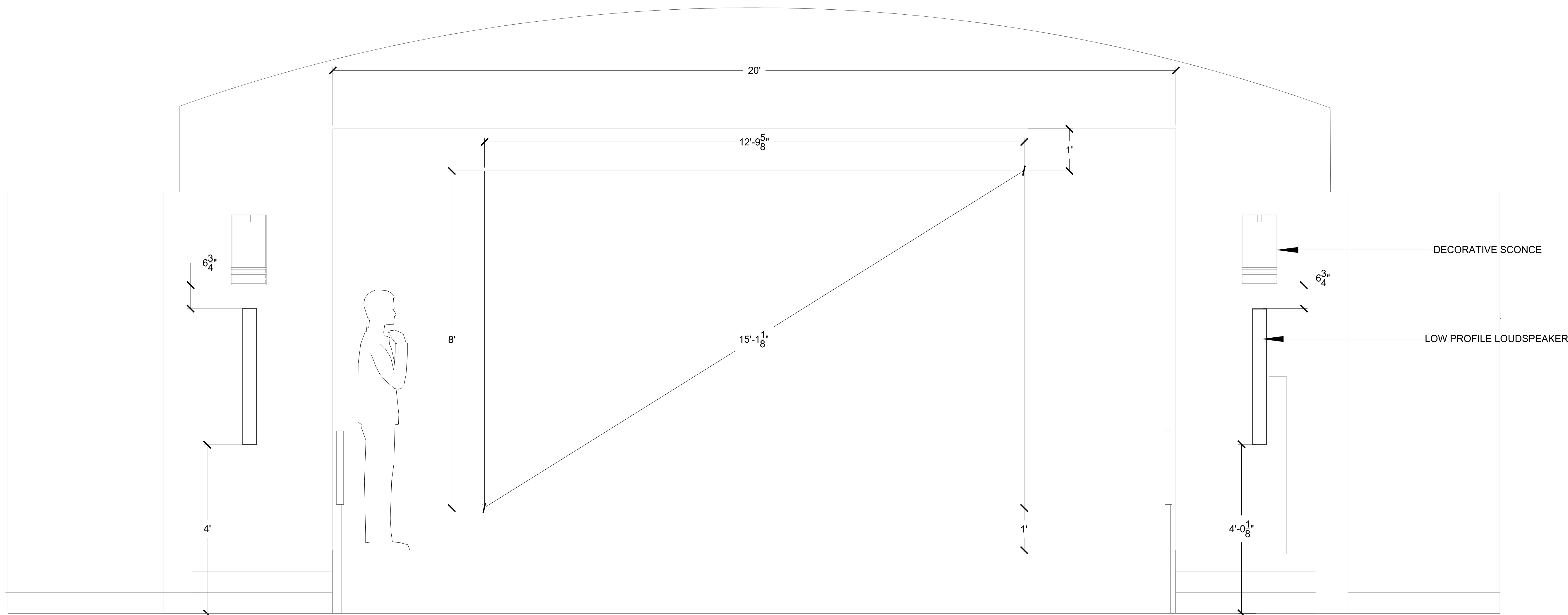
10'-6" A



AV REFLECTED CEILING PLAN

This document contains copyrighted material and trade secret information belonging to Stage Front Presentation Systems. Any unauthorized use, disclosure, or duplication of any of the information contained herein may result in liability under applicable laws.

**MACON-BIBB COUNTY SENIOR CENTER
MULTIPURPOSE ROOM
MACON, GA**



NO.	DATE	DESCRIPTION

04/17/17 DESIGN SET
REVISION SCHEDULE

SECTION

DRAFT: KB CHECK: MR APRVD: TL

PROJECT NO: 3-21075

SCALE: 3/8" = 1'

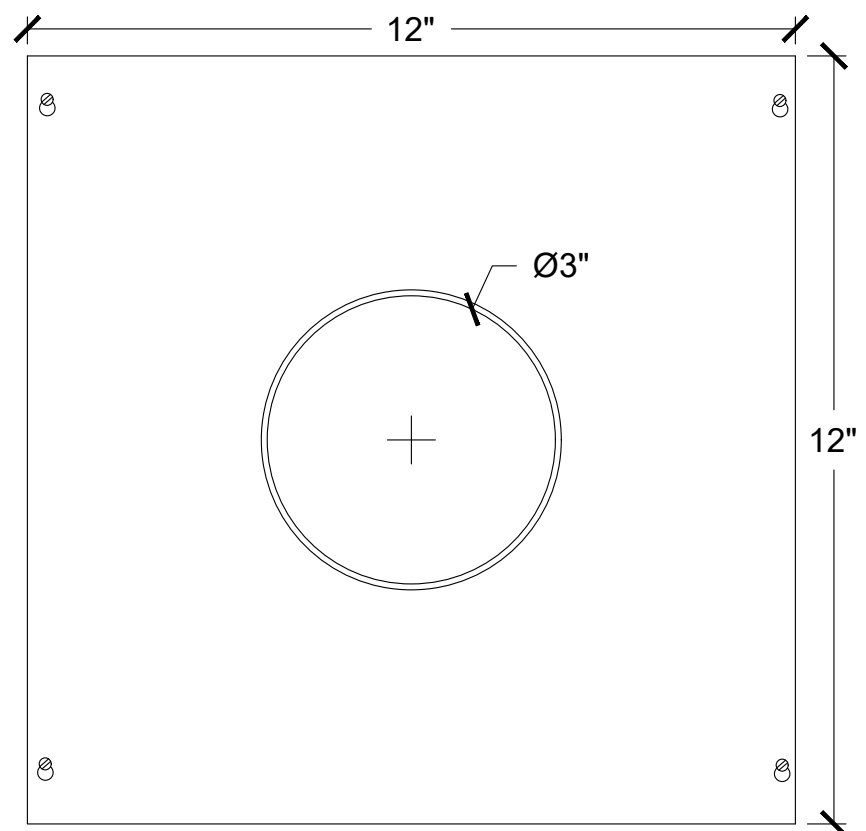
04/17/17

EPS-2.1

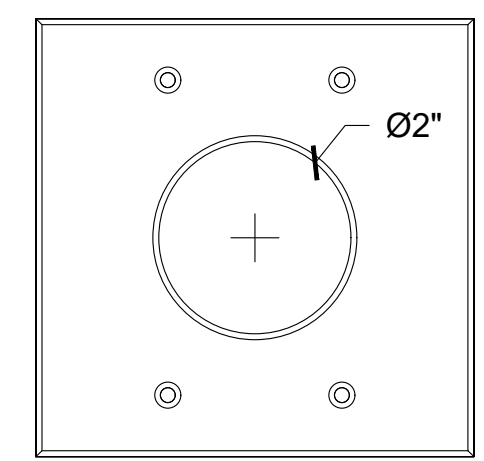
SECTION

This document contains copyrighted material and trade secret information belonging to Stage Front Presentation Systems. Any unauthorized use, disclosure, or duplication of any of the information contained herein may result in liability under applicable laws.

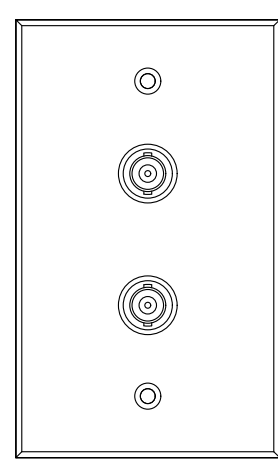
**MACON-BIBB COUNTY SENIOR CENTER
MULTIPURPOSE ROOM
MACON, GA**



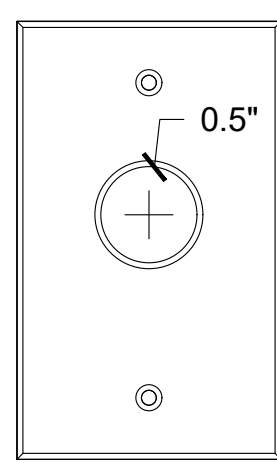
6 A1.1
EQUIPMENT RACK PASS THROUGH PLATE
10" X 10" X 4" SCREW COVER JUNCTION BOX MOUNTED 24" A.F.F.
BACKBOX PROVIDED AND INSTALLED BY E.C.
FACEPLATE PROVIDED AND INSTALLED BY P.S.C.



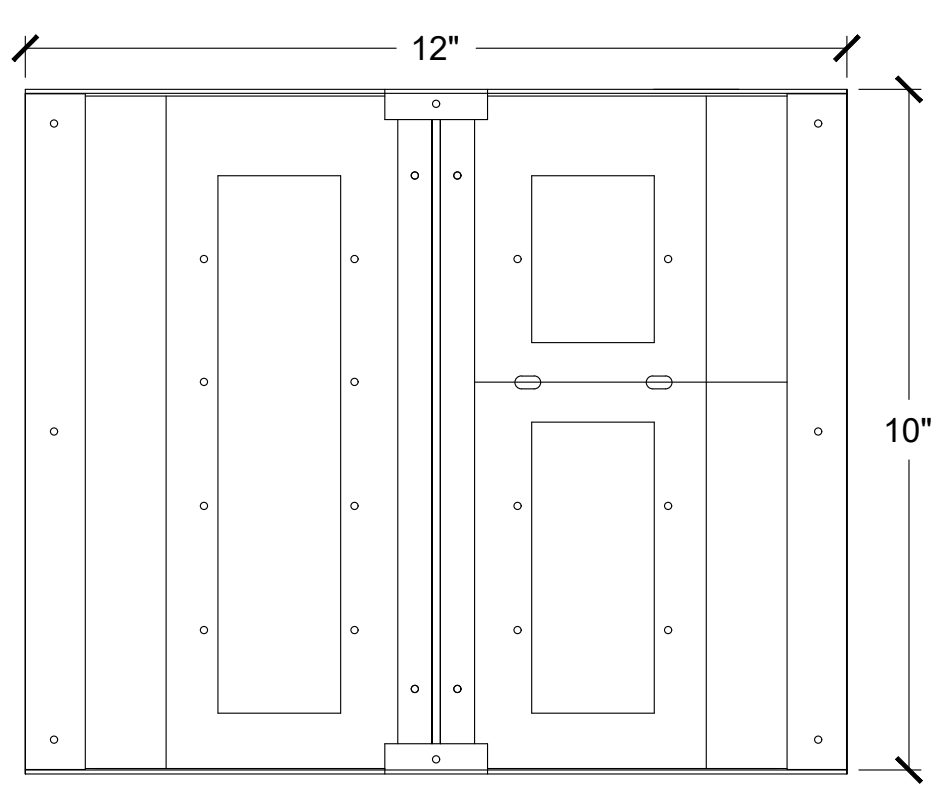
2 PP1.1
PROJECTOR I/O PLATE
TWO GANG BACKBOX SURFACE MOUNTED ON CEILING
BACKBOX PROVIDED AND INSTALLED BY E.C.
FACEPLATE PROVIDED AND INSTALLED BY P.S.C.



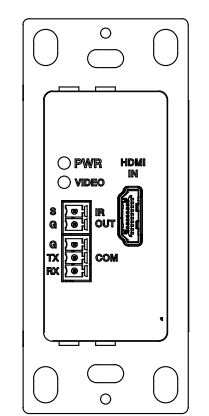
1 ANT1.1
ANTENNA PASS THROUGH PLATE
ONE GANG BACKBOX MOUNTED AT 9' AFF
BACKBOX PROVIDED AND INSTALLED BY E.C.
FACEPLATE PROVIDED AND INSTALLED BY P.S.C.



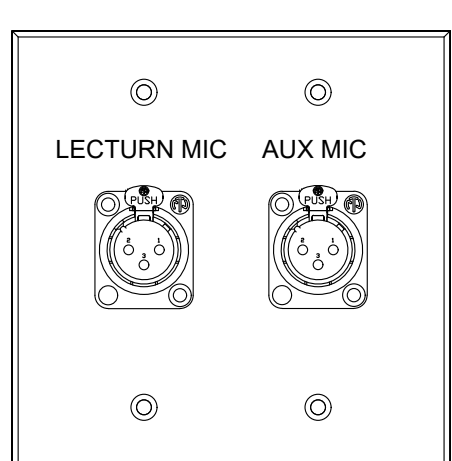
1 SM1.1 THRU 1 SM1.2
SPEAKER MAINS PASS THROUGH PLATE
ONE GANG BACKBOX MOUNTED ON WALL 10' AFF
BACKBOX PROVIDED AND INSTALLED BY E.C.
FACEPLATE PROVIDED AND INSTALLED BY P.S.C.



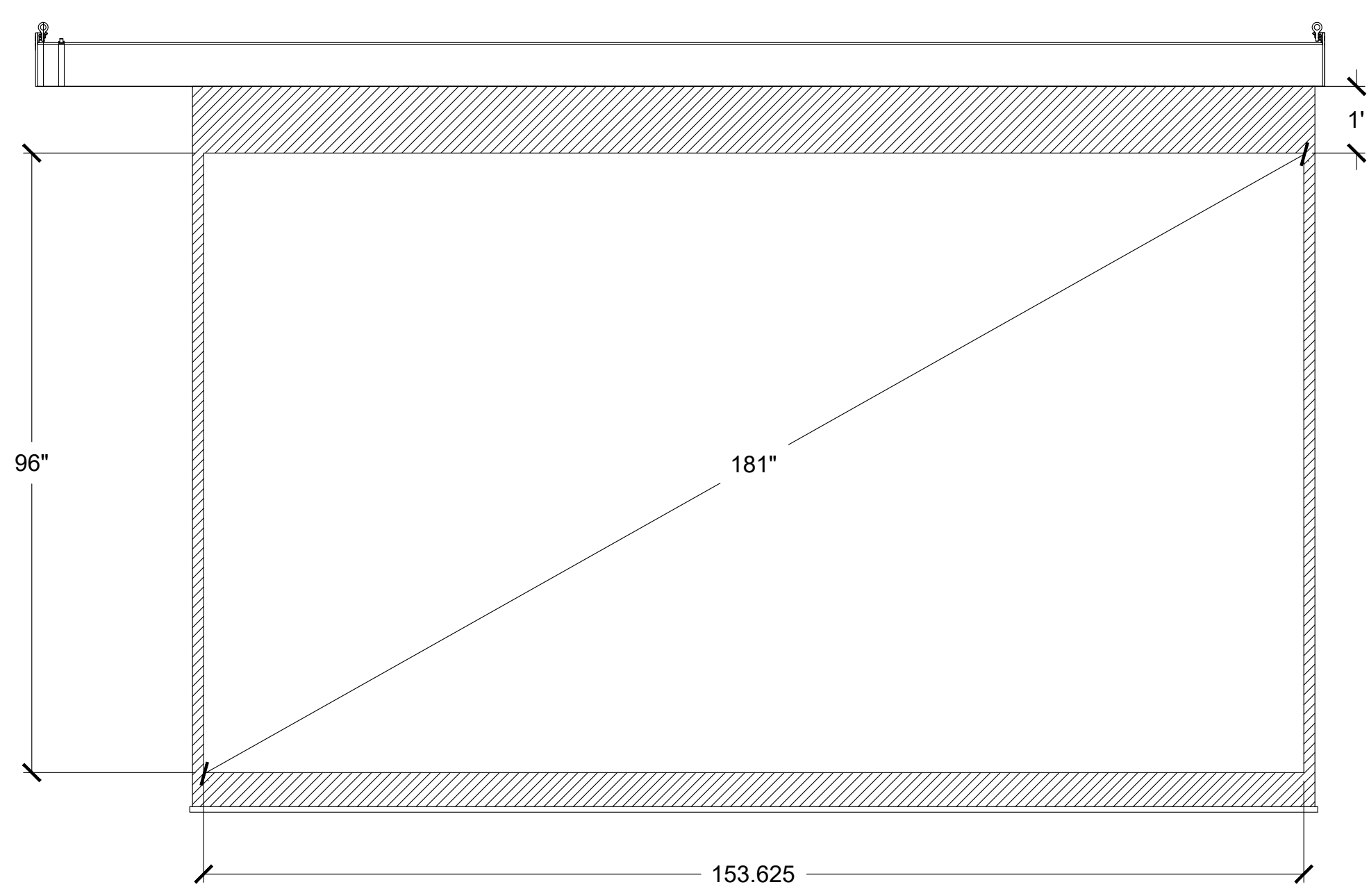
7 FB1.1
FSR FL-500P FLOORBOX
FLOORBOX MOUNTED RECESS FLUSH IN STAGE FLOOR
FLOORBOX PROVIDED BY PSC AND INSTALLED BY EC
AV EQUIPMENT PROVIDED AND INSTALLED BY PSC
FLOORBOX REQUIRES (1) DEDICATED 20A 120 VAC CIRCUIT FEEDING DUPLEX RECEPTACLE
DUPLEX RECEPTACLES MOUNTED INSIDE FLOORBOX PROVIDED AND INSTALLED BY EC



7 WP1.1
DIGITAL MEDIA FACEPLATE
ONE GANG BACKBOX RECESS MOUNTED IN FLOORBOX 7/FB1.1
BACKBOX PROVIDED AND INSTALLED BY E.C.
FACEPLATE PROVIDED AND INSTALLED BY P.S.C.



7 MP1.1
STAGE MIC INPUT PLATE
TWO GANG BACKBOX RECESS MOUNTED IN FLOORBOX 7/FB1.1
BACKBOX PROVIDED AND INSTALLED BY E.C.
FACEPLATE PROVIDED AND INSTALLED BY P.S.C.



10 SC1.1
181" DIAG. PROJECTION SCREEN
SCREEN SUSPENDED FROM STRUCTURE TO BE FLUSH ON BACK OF PROSCENIUM
SCREEN WITH CUSTOM DROP AND MASKING PROVIDED AND INSTALLED BY P.S.C.
REQUIRES 5A 120VAC INSTALLED BY E.C.

DATE	DESCRIPTION
04/17/17	DESIGN SET
	REVISION SCHEDULE

DETAILS

DRAFT: KB CHECK: MR APRVD: TL

PROJECT NO: 3-21075

SCALE: 6" = 1'

04/17/17

EPS-3.1

This document contains copyrighted material and trade secret information belonging to Stage Front Presentation Systems. Any unauthorized use, disclosure, or duplication of any of the information contained herein may result in liability under applicable laws.

**MACON-BIBB COUNTY SENIOR CENTER
MULTIPURPOSE ROOM
MACON, GA**

04/17/17	DESIGN SET
	REVISION SCHEDULE

DETAILS

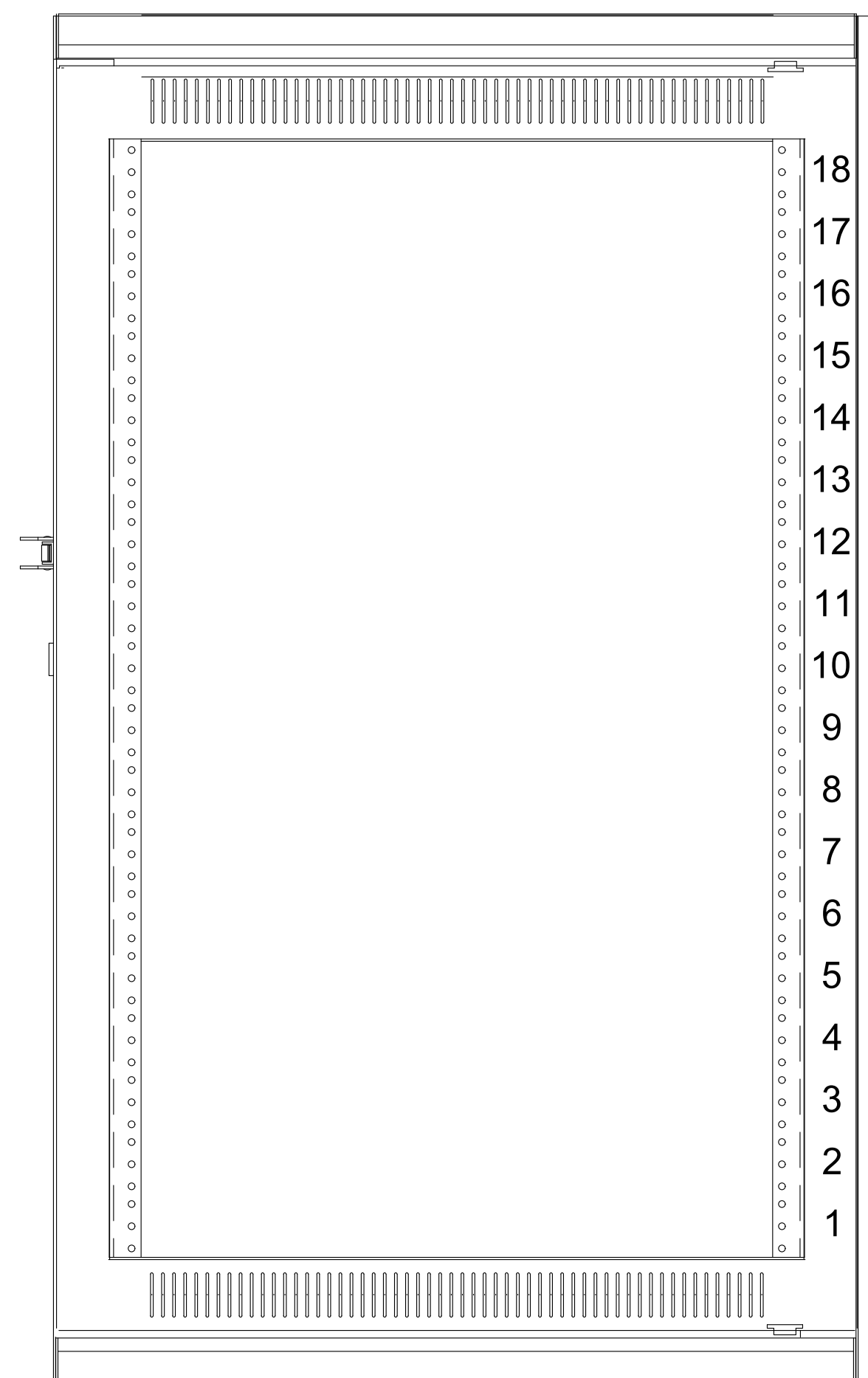
DRAFT:	CHECK:	APRVD:
KB	MR	TL

PROJECT NO: 3-21075

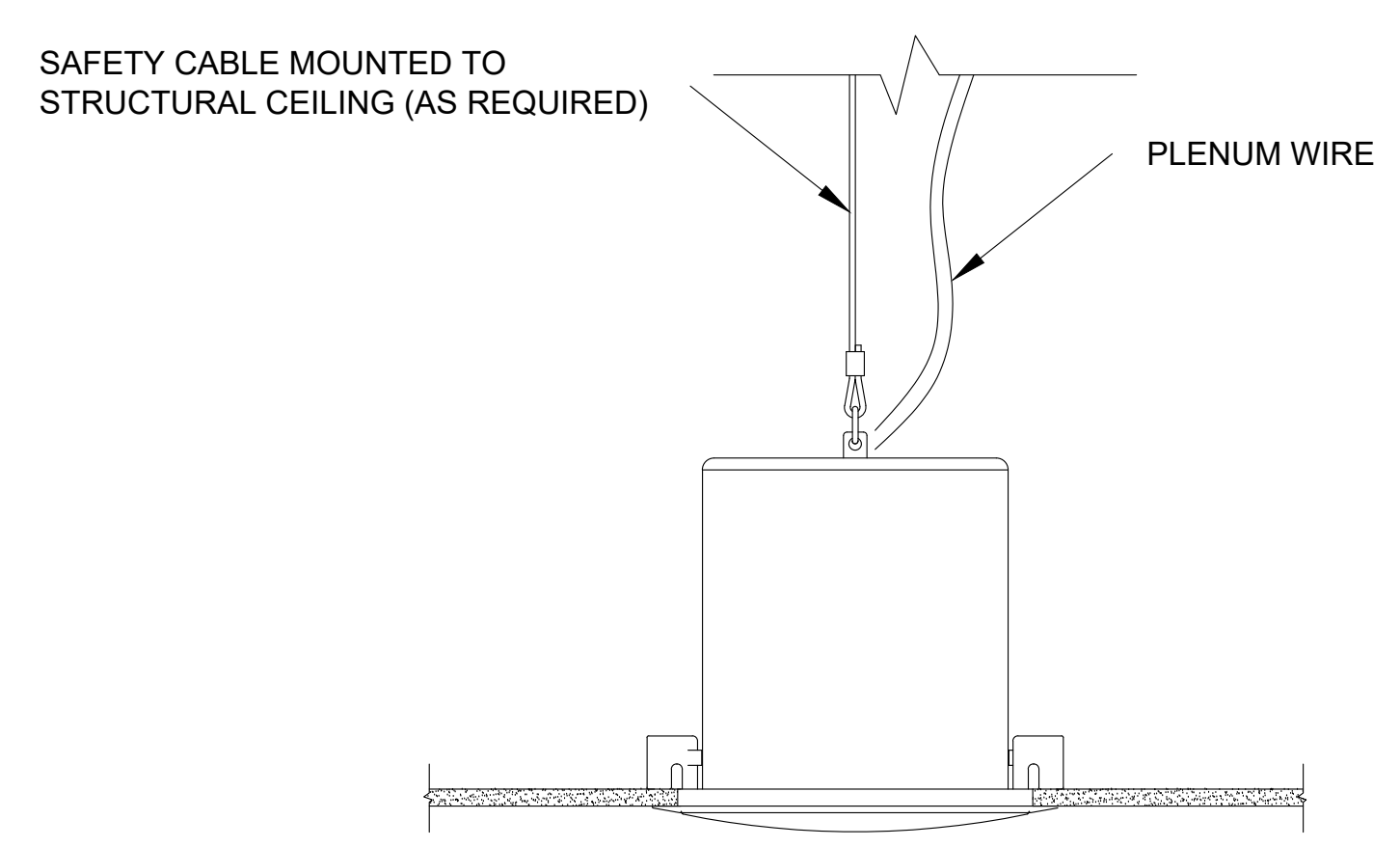
SCALE: 6" = 1'

04/17/17

EPS-3.2

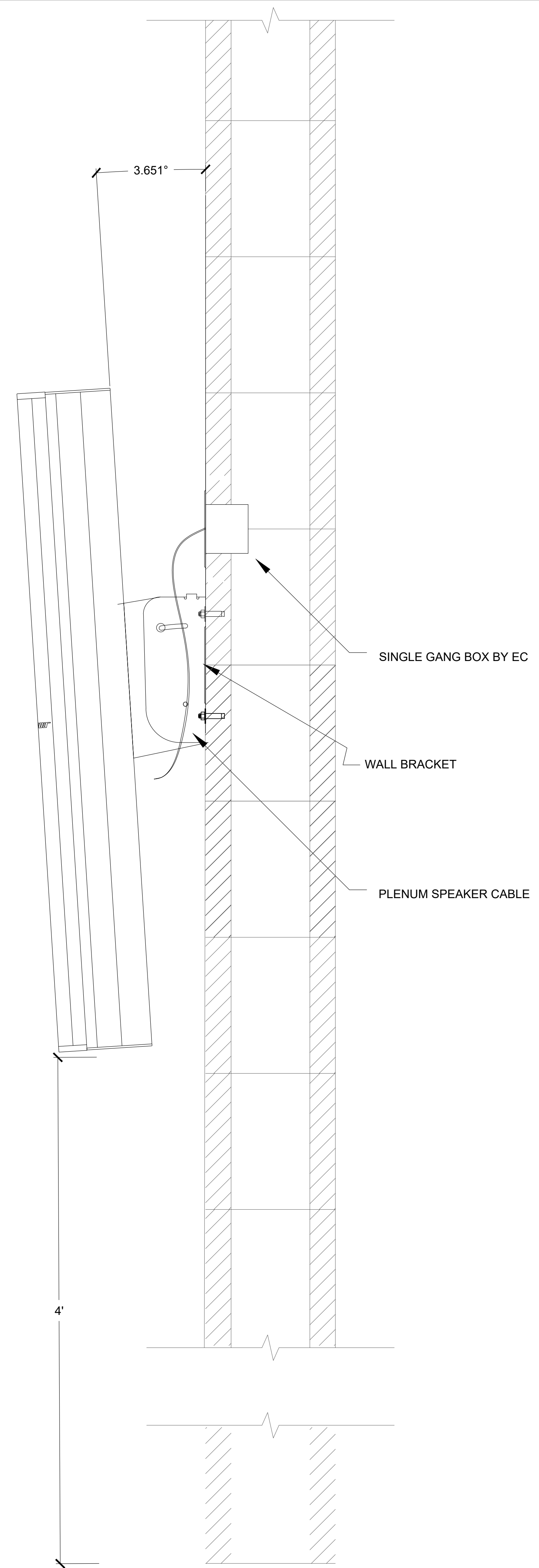


9 ER1.1
MIDDLE ATLANTIC DWR-18-22 EQUIPMENT RACK
EQUIPMENT RACK WALL MOUNTED 24" AFF
RACK PROVIDED AND INSTALLED BY PSC
AV EQUIPMENT PROVIDED AND INSTALLED BY PSC
AV RACK REQUIRES (2) DEDICATED 20A 120 VAC CIRCUITS FEEDING DUPLEX RECEPTACLES
DUPLEX RECEPTACLES MOUNTED INSIDE AV RACK BACK PAN PROVIDED AND INSTALLED BY EC



8 SP1.1 THRU 9 SP1.12
CEILING SPEAKER
MOUNTED FLUSH IN CEILING TILE
SPEAKER PROVIDED BY PSC AND INSTALLED BY PSC

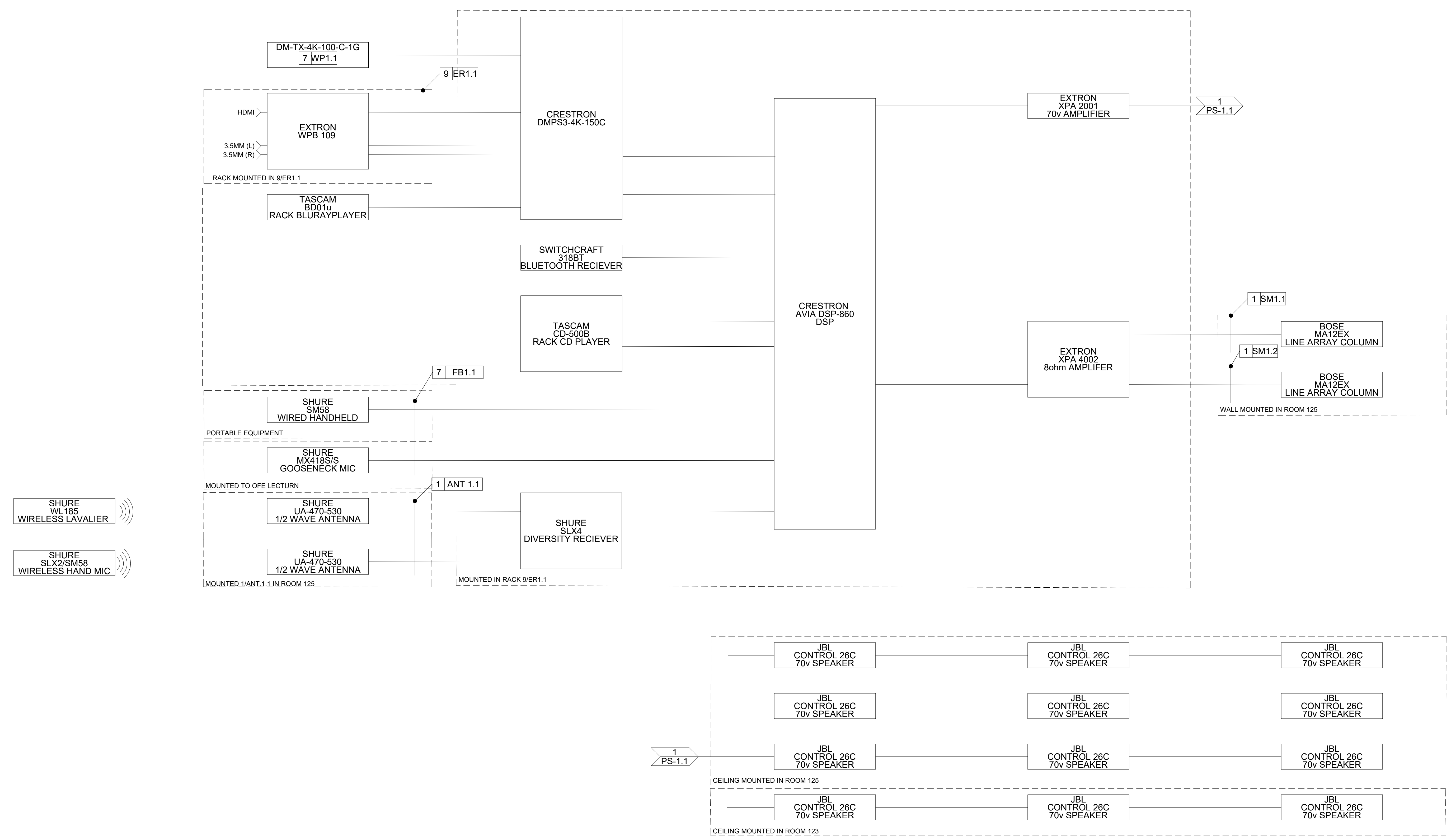
1 SPEAKER MOUNTING DETAIL
SCALE: 3" = 1'



DETAILS

This document contains copyrighted material and trade secret information belonging to Stage Front Presentation Systems. Any unauthorized use, disclosure, or duplication of any of the information contained herein may result in liability under applicable laws.

**MACON-BIBB COUNTY SENIOR CENTER
MULTIPURPOSE ROOM
MACON, GA**



NO.	DATE	DESCRIPTION
04/17/17	DESIGN SET	REVISION SCHEDULE

AUDIO FLOW

DRAFT: KB CHECK: MR APRVD: TL

PROJECT NO: 3-21075

SCALE: NONE

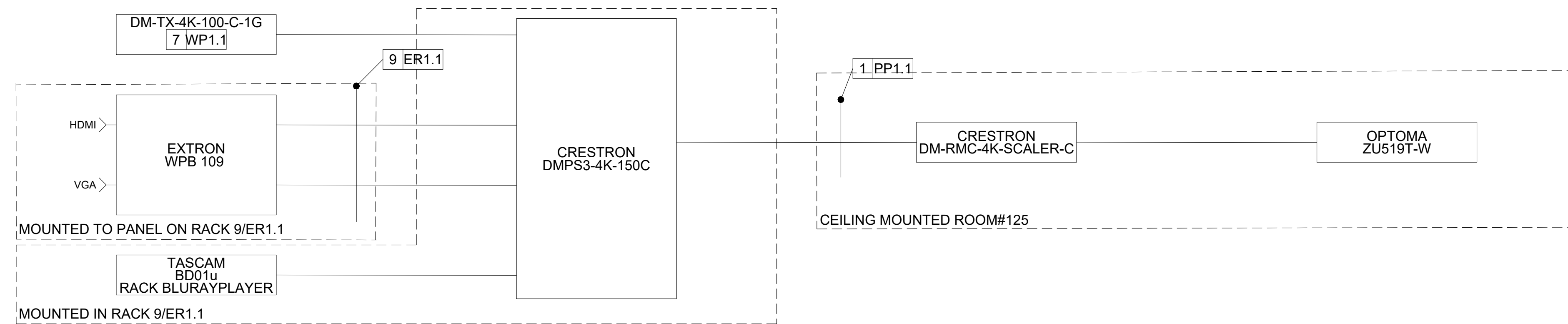
04/17/17

PS-1.1

AUDIO SIGNAL FLOW

This document contains copyrighted material and trade secret information belonging to Stage Front Presentation Systems. Any unauthorized use, disclosure, or duplication of any of the information contained herein may result in liability under applicable laws.

**MACON-BIBB COUNTY SENIOR CENTER
MULTIPURPOSE ROOM
MACON, GA**



04/17/17 DESIGN SET
REVISION SCHEDULE

VIDEO FLOW

DRAFT: KB CHECK: MR APRVD: TL

PROJECT NO: 3-21075

SCALE: NONE

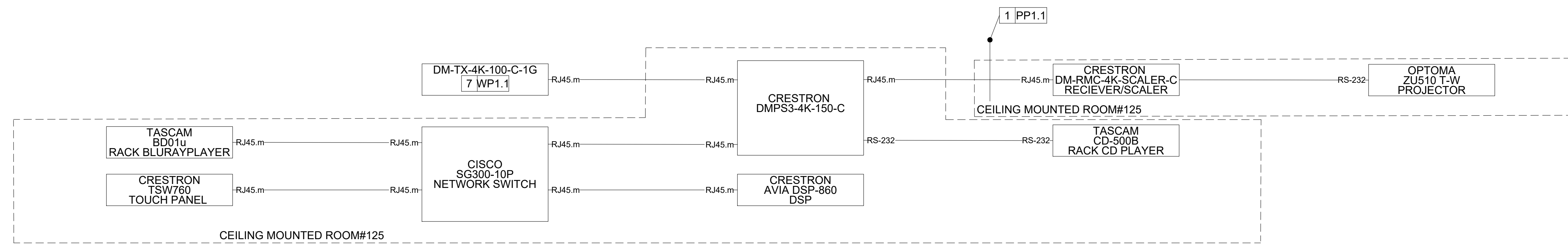
04/17/17

PS-1.2

VIDEO SIGNAL FLOW

This document contains copyrighted material and trade secret information belonging to Stage Front Presentation Systems. Any unauthorized use, disclosure, or duplication of any of the information contained herein may result in liability under applicable laws.

**MACON-BIBB COUNTY SENIOR CENTER
MULTIPURPOSE ROOM
MACON, GA**



04/17/17 DESIGN SET
REVISION SCHEDULE

CONTROL FLOW

DRAFT: KB CHECK: MR APRVD: TL

PROJECT NO: 3-21075

SCALE: NONE

04/17/17

PS-1.3

CONTROL SIGNAL FLOW